



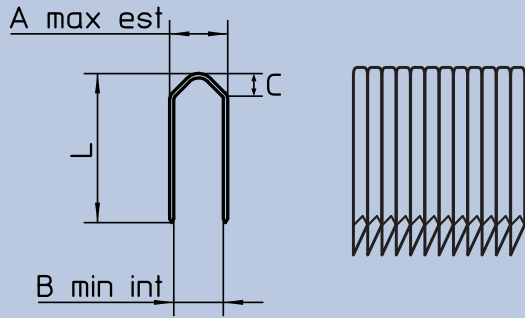
## FENCE STAPLING SYSTEM



**SUPERIOR CORROSION RESISTANCE**  
**EXCELLENT HOLDING STRENGTH**

### F40-315 FENCE STAPLES & FASCO F46 40-315 FENCE STAPLER

- Pneumatically driven staple for time and labor cost savings.
- Hot Dipped Galvanized Wire with minimum 350 g/m<sup>2</sup> (50 μm) zinc layer (Class 4) for maximum staple life.
- Patent pending Diamond Coating and precision divergent points for superior holding power compared to manual installation.
- Weather resistant packaging protects against the elements and delivers outstanding visibility at Point-of-Sale.
- Powerful Pneumatic Stapler to countersink 1 9/16" (40 mm) staples in pressure treated lumber.
- Adjustable depth of drive to accommodate many fence wire types and thicknesses.



## F 40-315 FENCE STAPLES

Wire	10 1/2 gauge (3.15 mm)
Strip length	3 1/3" (84 mm)
A: outside crown	0.503" (12.8 mm)
B: inside crown	0.236" (6.7 mm)
C: crown height	0.275" (7 mm)
L: total leg length	1 9/16" (40 mm)

### FINISH:

- 350 g/m<sup>2</sup> (50 µm) hot dip galvanized

### COLLATION:

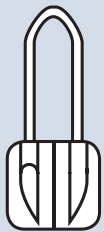
- super strong inside and outside glue for maximum strip integrity

### PACKAGE:

Dimensions (WxHxD): 5.590" x 3.397" x 8.976"  
(142 x 100 x 228 mm)

Weight: 15.10 lbs (6,85 kg)

Quantity: 1,500 pieces per pack



PRECISION  
DIVERGENT POINTS

The two divergent points and the patent pending Diamond Coating ensure an excellent holding power compared to manual installation.



### APPLICATIONS:

- livestock batten fencing including hog and cattle panels
- electrified single wire with insulator for livestock and predator control
- light mesh and light woven fencing for horticulture and nursery
- plastic mesh barriers, pet enclosures and poultry fencing
- galvanized and poly-coated vineyard trellising guide wire
- single wire including high tensile, barbed and square wire
- plastic erosion control
- snow control fencing
- coaxial and fiber optic utility wire applications



- Good balance and reduced weight
- High power for hardwood applications
- Rubber comfort grip ensures a non-slip handling and reduces vibration and fatigue
- Special nose for fence application
- Multi-directional exhaust adjusts without tools
- Tool-free depth of drive adjustment
- Special mechanism prevents double shots
- Solid and durable design for the most demanding jobs



## FENCE STAPLER F46 FENCE 40-315

Wire: 10 1/2 gauge (3.15 mm)

Staple Length: 1" - 1 9/16" (25 - 40 mm)

Tool Weight: 6.05 lbs (2.75 kg)

Pressure: 70 - 120 psi (5 - 8 bar)



FASCO America Inc. | 105 Industrial Park  
PO Box 2389-Muscle Shoals, AL 35662  
Phone +1-256-381-6364  
Fax +1-256-381-6659 | Toll Free +1-800-239-8665  
sales@fascoamerica.com | www.fascoamerica.com

